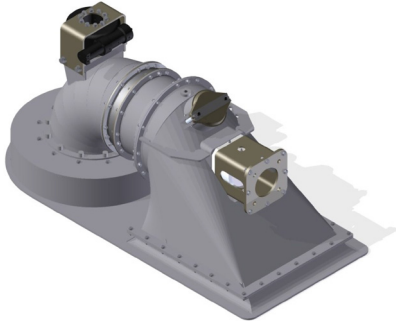


ADVANCED MARINE PROPULSION

360Jet



36m x 11m Car Ferry



Amphibious Evacuation Craft

360Jet SPECIFICATIONS

Horsepower Range	100-1600 (75-1200 kW)
Impeller Diameter	15.25-40" (387-1016 mm)
Speed Range	0-15 knots

DRIVE OPTIONS

- Diesel
- Hydraulic
- Electric

CONTROL OPTIONS

- Single NAMJet Control

IDEAL APPLICATIONS

Any craft where superior maneuverability is demanded:

- Barges
- Ferries
- Military Vessels

NAMJet's advanced marine propulsion systems set the new standard for **Thrust**, **Durability**, and **Speed** for a wide variety of commercial, military, and workboat applications. Our **360[®] Jet** line of 360-degree thrusters is the perfect application for diesel-, hydraulic-, or electric-drive barges, ferries, or any platform where superior maneuverability is paramount.

360[®] Jet's low-pressure/high-flow axial design provides exceptional thrust per horsepower while minimizing cavitation from 0-25 knots. A large nozzle design also allows **360[®] Jets** to operate at lower RPM than their high-speed competitors, lowering maintenance and fuel costs for a significantly lower lifetime cost of ownership.

360[®] Jet's unique design also eliminates the need for transition ducts. The entire jet unit welds directly to the hull to become part of the vessel's structure, allowing for flush installation and providing a sleek, clean propulsion solution without tangle or snag hazards.

NAMJet offers a full range of **360[®] Jet** products, with impeller sizes ranging from 15.15 to 40 inches (387-1016 mm). Every NAMJet product is fully customizable to meet the standards of the most demanding operators, and we are happy to explore the full range of design options required for your specific application.

MATERIAL SPECIFICATIONS

Intake, Hood, Steering	Aluminum 5086 or Steel
Main Shaft & Coupler	Stainless Steel
Impeller	316 Stainless
Stator Bearing (Water Lubricated)	Thordon Composite
Hardware & Fasteners	Stainless Steel
Wear Ring / Stator	Aluminum 5086 or Steel

