

# CH400B Construction Hoist

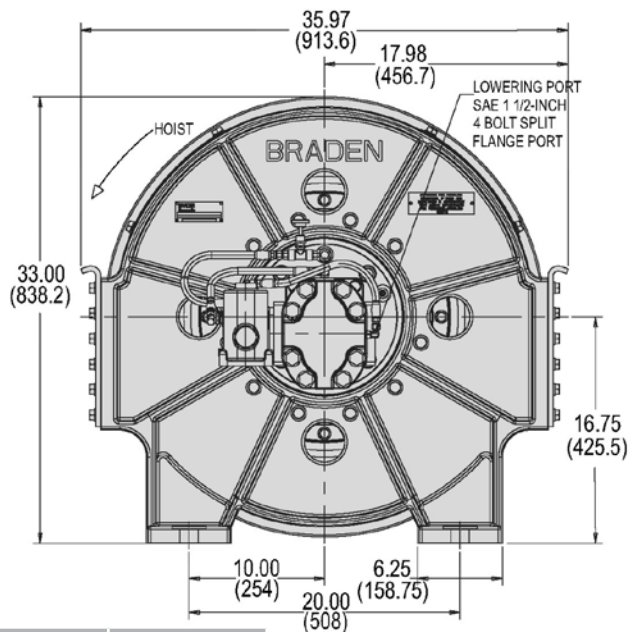
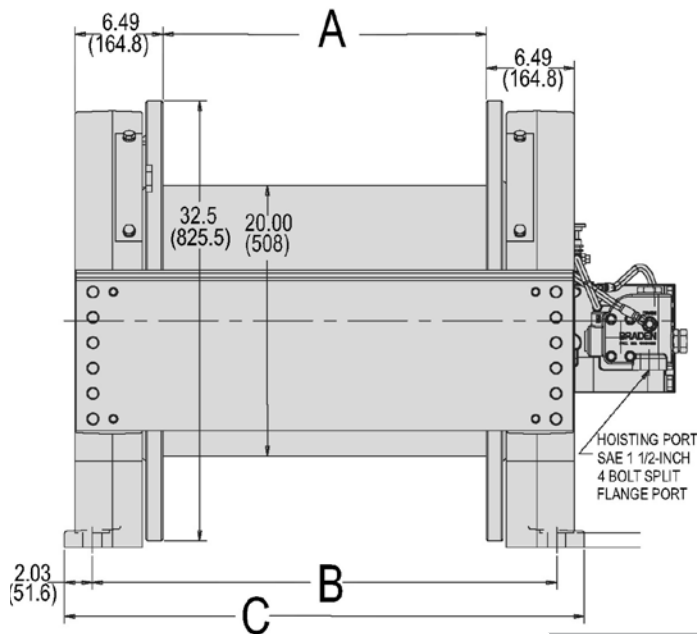
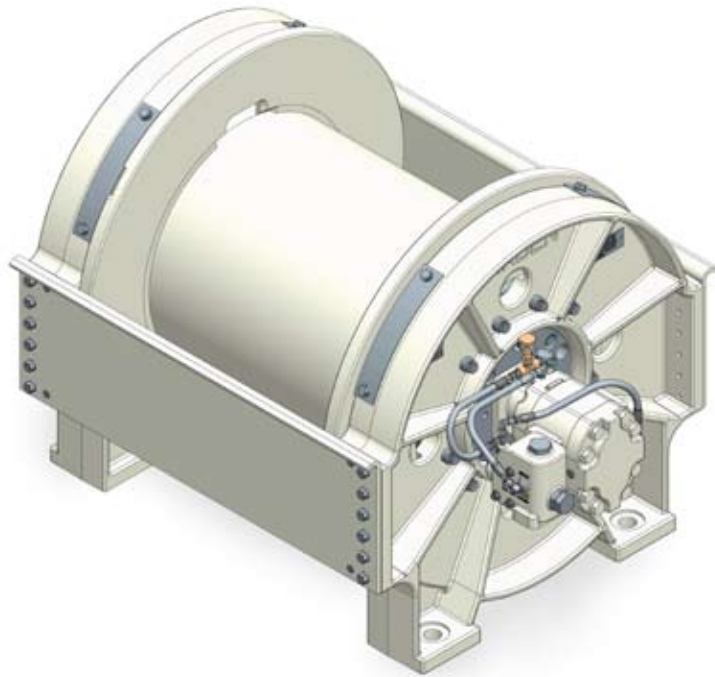
40,000 LB Capacity

**BRADEN**  
PACCAR WINCH DIVISION



### Standard Features:

- Multi-disc spring applied, hydraulically released brake to hold the load even if a hydraulic line breaks
- Anti-friction bearings used throughout to maximize efficiency
- Brake valve for smooth performance
- Full load wire rope anchor
- High efficiency motor



	01 Drum	02 Drum	21 Drum
A	23.88 (606.6)	38.12 (968)	54.62 (1387)
B	34.29 (871)	48.54 (1233)	65.04 (1652)
C	38.35 (974.1)	52.6 (1336)	69.1 (1755)



**PACCAR** WINCH DIVISION  
P.O. BOX 547 BROKEN ARROW, OK U.S.A. 74013  
PHONE (918) 251-8511 FAX (918) 259-1575  
[www.paccarwinch.com](http://www.paccarwinch.com)

Copyright 2007 PACCAR Inc  
All Rights Reserved

LIT-2344  
REV 2  
10-2010

## Specifications

### CH400B-70120-01 & 02 & 21

12.0 cu in. Motor (197 cc)  
3,000 PSI (206 bar) @ 170 gpm (643 lpm)  
Wire Rope Diameter: 1.125 in.

	LINE PULL		LINE SPEED	
	LB	KG	FPM	MPM
1	28,900	13,136	241	73
2	26,110	11,868	267	81
3	23,810	10,823	293	89
4	21,880	9,945	318	97
5	20,240	9,200	344	105

### CH400B-70144-01 & 02 & 21

14.4 cu in. Motor (236 cc)  
3,000 PSI (206 bar) @ 200 gpm (757 lpm)  
Wire Rope Diameter: 1.125 in.

	LINE PULL		LINE SPEED	
	LB	KG	FPM	MPM
1	35,050	15,932	226	69
2	31,660	14,391	251	77
3	28,870	13,123	275	84
4	26,530	12,059	299	91
5	24,550	11,159	323	98

### CH400B-87120-01 & 02 & 21

12.0 cu in. Motor (197cc)  
3,000 PSI (206 bar) @ 170 gpm (643 lpm)  
Wire Rope Diameter: 1.125 in.

	LINE PULL		LINE SPEED	
	LB	KG	FPM	MPM
1	35,510	16,141	196	60
2	32,080	14,582	217	66
3	29,250	13,295	238	73
4	26,880	12,218	259	79
5	24,870	11,305	280	85

### CH400B-87144-01 & 02 & 21

14.4 cu in. Motor (236 cc)  
2,800 PSI (192 bar) @ 200 gpm (757 lpm)  
Wire Rope Diameter: 1.125 in.

	LINE PULL		LINE SPEED	
	LB	KG	FPM	MPM
1	40,000	18,186	184	56
2	36,140	16,427	204	62
3	32,960	14,982	224	68
4	30,290	13,768	243	74
5	28,020	12,736	263	80

### CH400B-101120-01 & 02 & 21

12.0 cu in. Motor (197 cc)  
2,900 PSI (199 bar) @ 170 gpm (643 lpm)  
Wire Rope Diameter: 1.125 in.

	LINE PULL		LINE SPEED	
	LB	KG	FPM	MPM
1	40,000	18,177	167	51
2	36,130	16,423	185	56
3	32,950	14,977	203	62
4	30,280	13,764	221	67
5	28,010	12,732	239	73

## Wire Rope Storage Capacities

	01 DRUM ROPE CAPACITY (1.125 in. ROPE)		02 DRUM ROPE CAPACITY (1.125 in. ROPE)		21 DRUM ROPE CAPACITY (1.125 in. ROPE)	
	FT	M	FT	M	FT	M
1	116	35	186	57	267	81
2	245	75	392	119	562	171
3	386	118	618	188	886	270
4	540	165	864	263	1,239	378
5	706	215	1,130	344	1,620	494

## Model Number Explanation

### CH 400 B - 101 120 - 01 - 1

CH	CONSTRUCTION HOIST
400	MODEL SIZE
B	MODEL SERIES RELATING TO DESIGN CHANGES
101	TOTAL GEAR REDUCTION
120	HYDRAULIC MOTOR DISPLACEMENT (120 - 12.0 cu in./rev)
01	DRUM SIZE
1	SPECIAL OPTION (Personnel Handling)