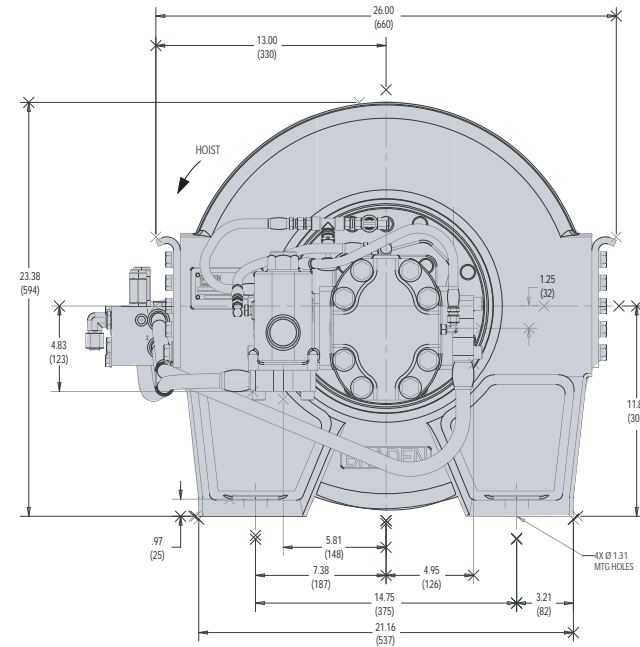
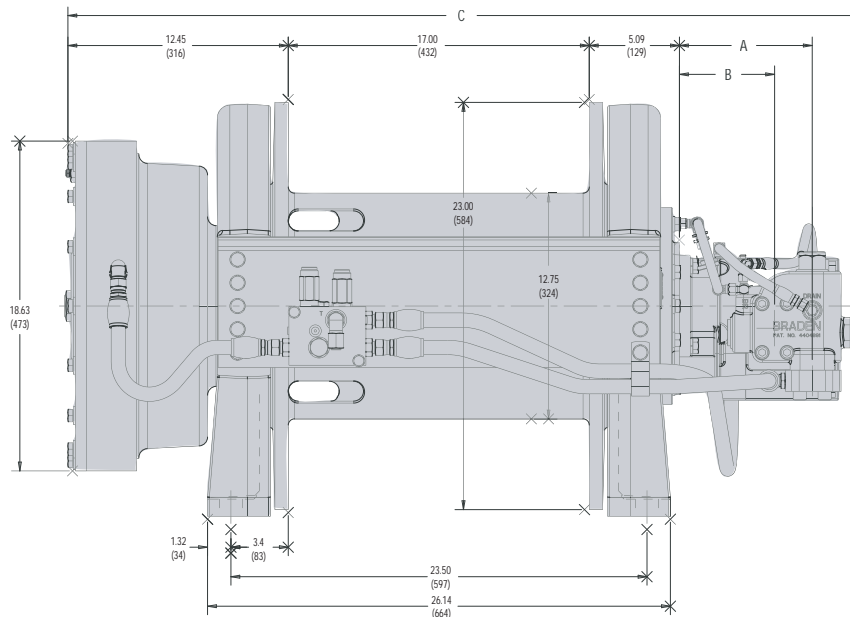


CH230B AB

19,400 LB First Layer Line Pull

BRADEN®

DIMENSIONAL INFORMATION



HOIST FEATURES

- Increased line pull ratings to better utilize higher strength wire ropes
- Gearing is designed for improved service life at higher input RPM and torque
- New brake design increases allowable input RPM, overrunning clutch capacity & oil flow to the brake
- SAE "C" motor mounts for improved hydraulic motor capability
- Optional electronic rotation sensor
- Same mounting hole locations and envelope size as the CH185A
- Improved serviceability

CH230B-AB				
	090 Motor		120 Motor	
	in.	mm	in.	mm
A	7.50	191	7.88	200
B	5.38	137	5.75	146
C	44.80	1140	45.17	1147

PERFORMANCE INFORMATION

		090 MOTOR				120 MOTOR					
		9.02 CU. IN. DISP. - 3000 PSI @ 125 GPM (148 CC DISP. - 184 BAR @ 473 LPM)				12.03 CU. IN. DISP. - 2900 PSI @ 170 GPM (197 CC DISP. - 172 BAR @ 643 LPM)					
ROPE SIZE (IN)	LAYER	LINE PULL		LINE SPEED		LINE PULL		LINE SPEED		ROPE CAPACITY	
		(LBS)	(KG)	(FPM)	(MPM)	(LBS)	(KG)	(FPM)	(MPM)	(FT)	(M)
3/4	1	14,940	6,791	297	91	19,370	8,805	310	94	80	24
	2	13,440	6,109	330	101	17,430	7,923	344	105	169	52
	3	12,220	5,555	363	111	15,840	7,200	379	116	266	81
	4	11,200	5,091	396	121	14,520	6,600	413	126	372	113
	5	10,340	4,700	429	131	13,410	6,095	448	137	487	148
	6	9,600	4,364	462	141	12,450	5,659	482	147	611	186

OPTIONS

Consult the factory for high pressure piston motors and available ratios.

NOTES

Specifications are subject to change without notification and without incurring obligation.

Pressure and flow shown are the maximum allowable for the particular combination of winch, ratio, motor and drum.

Specifications in this publication are theoretical and may vary depending on hydraulic system, environment, etc.

Line pulls are maximum ratings for the winch only. Wire rope ratings may be lower than the winch rating. Consult the wire rope manufacturer for ratings.

MINIMUM FLOW RECOMMENDATION FOR SMOOTH OPERATION

(RECOMMENDED MINIMUM **SYSTEM** FLOW SHOULD BE 2X THESE VALUES)

MOTOR	GPM	LPM
90	24	91
120	28	106

▲ WARNING ▲

A minimum of 5 wraps of wire rope must be left on the drum to prevent the load from being supported by the wire rope anchor alone. Since the wire rope anchor is not designed to hold the rated load, failure to leave 5 wraps of wire rope on the drum could cause the load to drop, which could result in property damage, injury or death.