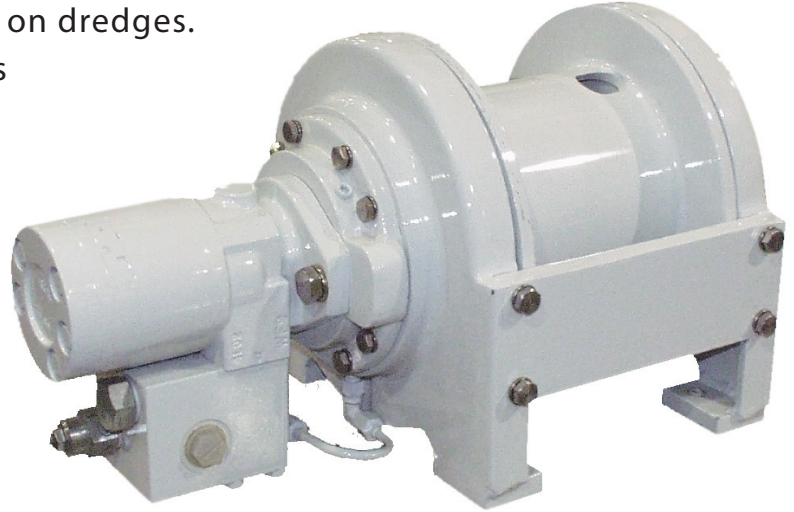


BG3B PLANETARY HOIST

Our BG3B is designed for long life and efficient operation to meet a variety of applications—from marine industry boom hoists to the dynamic swing winch systems used on dredges.

Dynamic and static braking features provide safe, smooth operation.

High-efficiency anti-friction bearings are used throughout the hoist to ensure long service life. The BG3B is available in a wide range of gear ratios and motor displacements.



Features

- Up to 3,800 lb first layer line pull
- Cast base design
- Multiple high-efficiency motor displacement options
- Multi-disc static brake
- Counterbalance valve for dynamic braking



Benefits

- Sealed gearing reduces service intervals
- Compact design
- Ease of installation
- Smooth operation
- Reliable, long-lasting performance
- Low ownership costs

BRADEN BG3B Planetary Hoist

Specifications

BG3B-05080-01

8.0 cu in. Motor (131cc)
2488 psi (171 bar) @ 15 gpm (57 lpm)
Wire Rope Diameter: 3/8"

	LINE PULL		LINE SPEED	
	LB	KG	FPM	MPM
1	3,000	1,364	140	43
2	2,700	1,227	155	47
3	2,460	1,118	170	52
4*	2,260	1,027	186	57

* Layer does not meet ANSI B30.7

BG3B-05119-01H

11.9 cu in. Motor (195cc)
2119 psi (146 bar) @ 15 gpm (57 lpm)
Wire Rope Diameter: 3/8"

	LINE PULL		LINE SPEED	
	LB	KG	FPM	MPM
1	3,800	1,727	94	29
2	3,430	1,559	104	32
3	3,120	1,418	114	35
4*	2,860	1,300	125	38

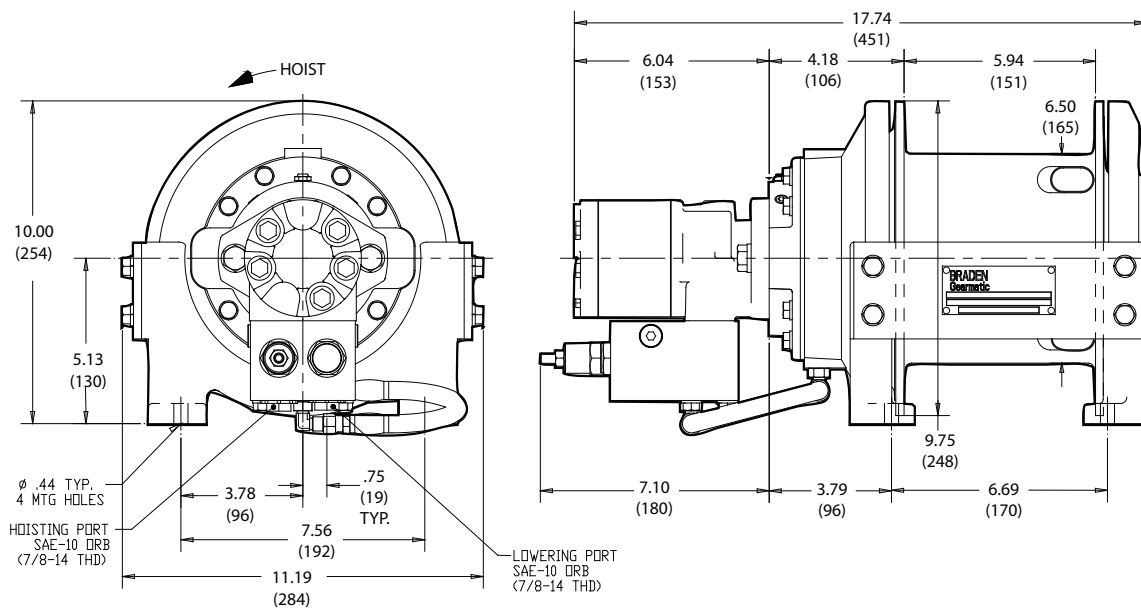
* Layer does not meet ANSI B30.7

BG3B & BG3B-01H DRUM CAPACITY (6.5" B x 9.75" F x 5.88" W)

	D/d	1	2	3	4	5	6
1/4 in.	27.1	41	85	132	182	235*	291
6 mm		X	X	X	X	X	X
3/8 in.	18:1	28	59	93	130*		
10 mm		X	X	X	X		

* Layer does not meet ANSI B30.7

Dimensions



PACCAR WINCH DIVISION

BRADEN CARCO Gearmatic

MAKERS OF THE FINEST WINCH, HOIST, AND DRIVE SYSTEMS

P.O. BOX 547 BROKEN ARROW, OK U.S.A. 74013
PHONE (918) 251-8511 FAX (918) 259-1575

www.paccarwinch.com