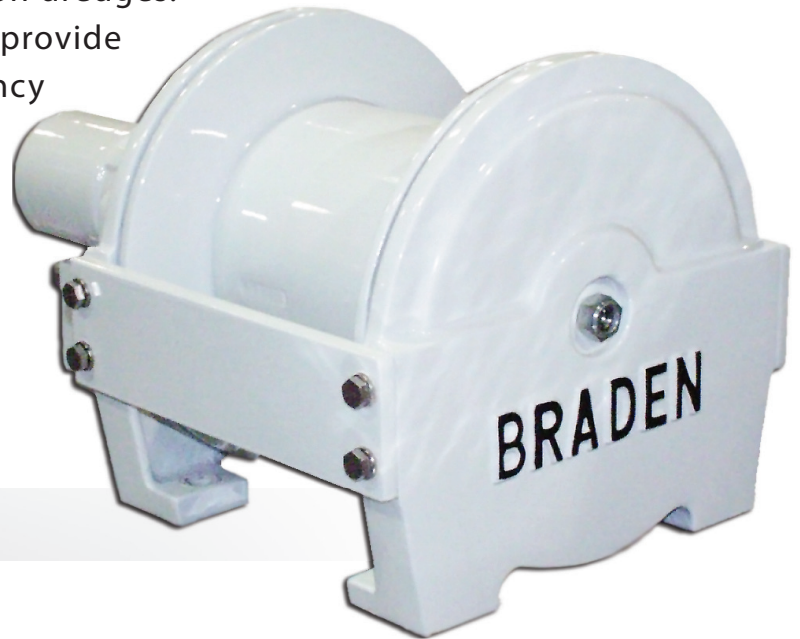


BG4B PLANETARY HOIST

Our BG4B is designed for long life and efficient operation to meet a variety of applications—from marine industry boom hoists to the dynamic swing winch systems used on dredges.

Dynamic and static braking features provide safe, smooth operation. High-efficiency anti-friction bearings are used throughout the hoist to ensure long service life. The BG4B is available in a wide range of gear ratios and motor displacements.

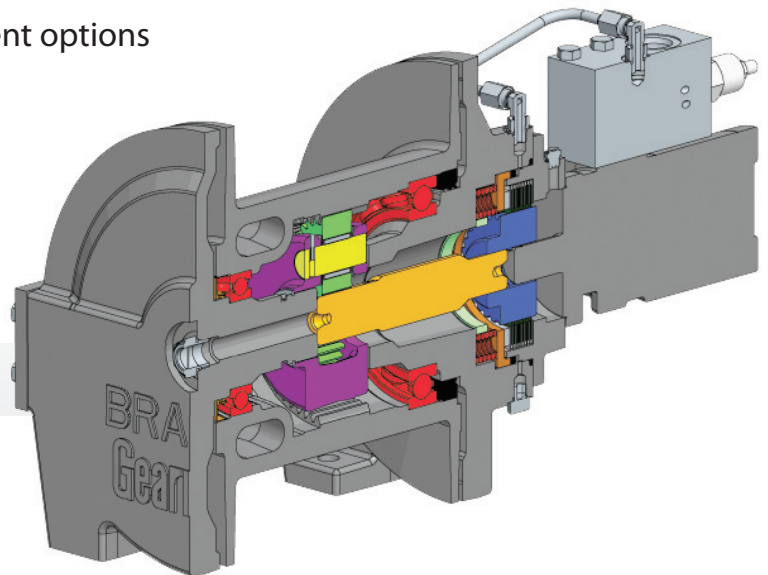


Features

- Up to 5,000 lb first layer line pull
- Cast base design
- Multiple high-efficiency motor displacement options
- Multi-disc static brake
- Counterbalance valve for dynamic braking

Benefits

- Sealed gearing reduces service intervals
- Compact design
- Ease of installation
- Smooth operation
- Reliable, long-lasting performance
- Low ownership costs



BRADEN BG4B Planetary Hoist

Specifications

BG4B-05080-01 13.9 cu in. Motor (228cc)
2422 psi (167 bar) @ 20 gpm (76 lpm)
Wire Rope Diameter: 3/8"

	LINE PULL		LINE SPEED		ROPE CAPACITY	
	LB	KG	FPM	MPM	FT	M
1	3,000	1,364	145	44	36	11
2	2,710	1,232	160	49	76	23
3	2,480	1,127	176	54	119	36
4	2,280	1,036	191	58	166	51
5*	2,110	959	206	63	217	66

* Layer does not meet ANSI B30.7

BG4B-05119-01 8.0 cu in. Motor (131cc)
2524 psi (171 bar) @ 15 gpm (57 lpm)
Wire Rope Diameter: 3/8"

	LINE PULL		LINE SPEED		ROPE CAPACITY	
	LB	KG	FPM	MPM	FT	M
1	4,000	1,818	133	41	36	11
2	3,620	1,645	148	45	76	23
3	3,300	1,500	162	49	119	36
4	3,040	1,382	176	54	166	51
5*	2,810	1,277	190	58	217	66

* Layer does not meet ANSI B30.7

BG4B-05139-01H 11.9 cu in. Motor (195cc)
2263 psi (156 bar) @ 20 gpm (76 lpm)
Wire Rope Diameter: 3/8"

	LINE PULL		LINE SPEED		ROPE CAPACITY	
	LB	(KG)	FPM		FT	(M)
1	5,000	(2,273)	114	(35)	36	(11)
2	4,520	(2,055)	126	(38)	76	(23)
3	4,130	(1,877)	138	(42)	119	(36)
4	3,800	(1,727)	150	(46)	166	(51)
5*	3,520	(1,600)	162	(49)	217	(66)

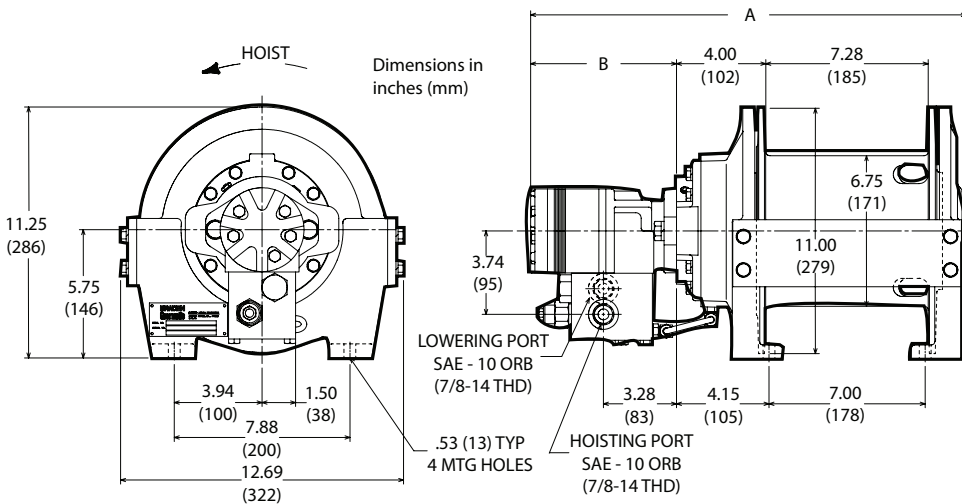
* Layer does not meet ANSI B30.7

BG4B & BG4B-01H DRUM CAPACITY
(6.75" B x 11.00" F x 7.28" W)

	D/d	1	2	3	4	5	6	7
1/4 in.	28.1	53	110	170	234	302	374	450*
6 mm		16	34	52	71	92	114	137*
3/8 in.	19:1	36	76	119	166	217*		
10 mm		11	23	36	51	66*		
7/16 in.	16:1	31	66	104	146*			
11 mm		9.4	20	32	45*			

* Layer does not meet ANSI B30.7

Dimensions



MOTOR	A		B	
	IN.	(MM)	IN.	(MM)
080	19.03	483	6.04	153
119	19.53	496	6.54	166
139	20.13	511	7.14	181

PACCAR WINCH DIVISION

BRADEN CARCO Gearmatic

MAKERS OF THE FINEST WINCH, HOIST, AND DRIVE SYSTEMS

P.O. BOX 547 BROKEN ARROW, OK U.S.A. 74013
PHONE (918) 251-8511 FAX (918) 259-1575

www.paccarwinch.com