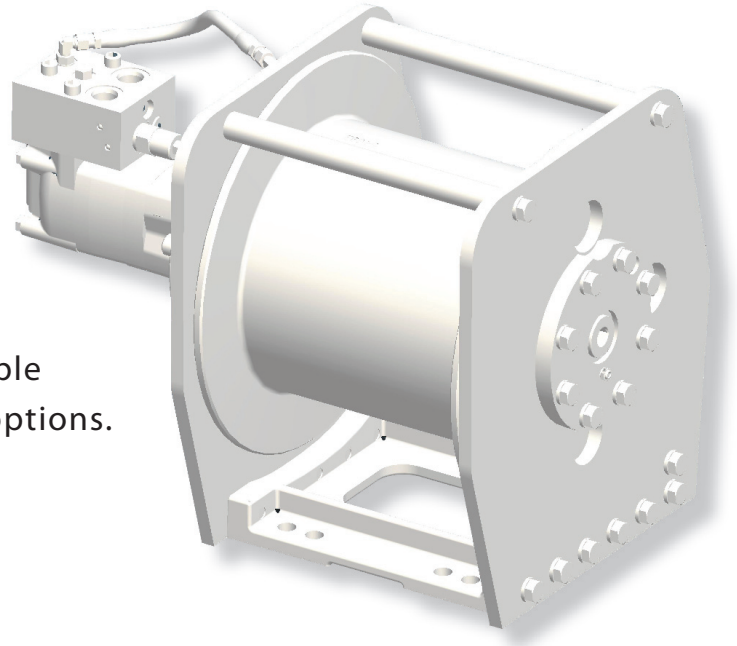


Our PD7C is designed for long life and efficient operation to meet a variety of applications. Dynamic and static braking features provide safe, smooth operation. High-efficiency anti-friction bearings are used throughout the hoist to ensure long service life. The PD7C is available with multiple motor, drum, and sideplate options.

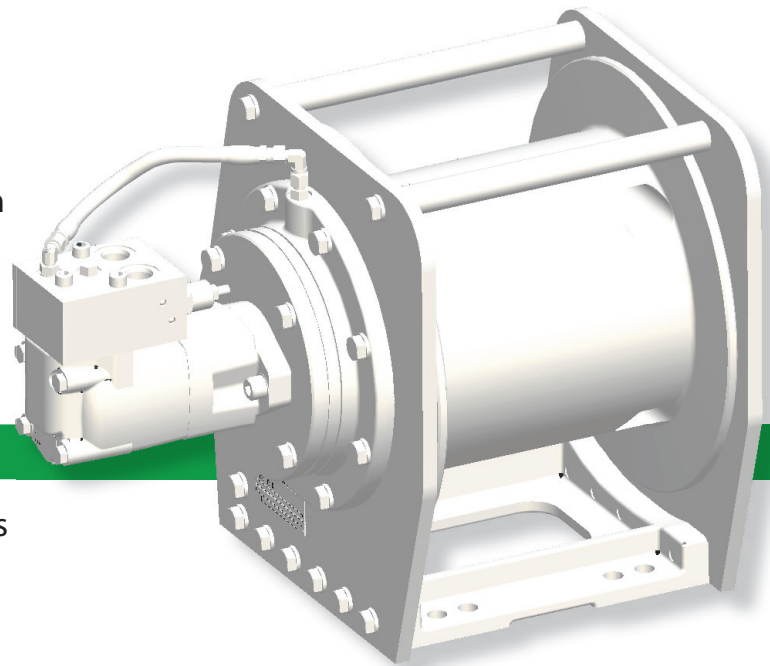


### Features

- 7,000 lb (3,182 kg) first-layer line pull
- Multiple low-speed high-torque (LSHT) motor displacement options
- Multi-disc static brake with sprag clutch
- Single-stage planetary reduction gearing

### Benefits

- Sealed gearing reduces service intervals
- Compact design
- Easy installation
- Smooth operation
- Reliable, long-lasting performance
- Low ownership costs
- Optional drum rotation indicator compatibility



# PLANETARY HOIST PD7C

# BRADEN®

## Specifications

### PD7C-07120-01 & -02

11.9 cu in. motor (195 cc) 3,000 psi (206 bar) @ 20 gpm (76 lpm)  
wire rope diameter: .56 in. (14 mm)

| LAYER | LINE PULL |       | LINE SPEED |     |
|-------|-----------|-------|------------|-----|
|       | LB        | KG    | FPM        | MPM |
| 1     | 5,000     | 2,273 | 138        | 42  |
| 2     | 4,510     | 2,050 | 153        | 47  |
| 3     | 4,100     | 1,864 | 168        | 51  |
| 4     | 3,760     | 1,709 | 183        | 56  |

### PD7C-07190-01 & -02

18.7 cu in. motor (306 cc) 2,700 psi (184 bar) @ 25 gpm (95 lpm)  
wire rope diameter: .56 in. (14 mm)

| LAYER | LINE PULL |       | LINE SPEED |     |
|-------|-----------|-------|------------|-----|
|       | LB        | KG    | FPM        | MPM |
| 1     | 7,000     | 3,182 | 243        | 74  |
| 2     | 6,310     | 2,868 | 270        | 82  |
| 3     | 5,740     | 2,609 | 297        | 91  |
| 4     | 5,260     | 2,391 | 324        | 99  |

### ROPE CAPACITY, FT\*

| WIRE ROPE DIA. | 3/8 | 7/16 | 1/2 | 9/16 |
|----------------|-----|------|-----|------|
| PD7C-01 DRUM   | 495 | 351  | 242 | 220  |
| PD7C-02 DRUM   | 596 | 437  | 315 | 220  |

\* CHECK FOR APPROXIMATE FREEBOARD CLEARANCES

### PD7C-07150-01 & -02

14.9 cu in. motor (244 cc) 3,000 psi (206 bar) @ 20 gpm (76 lpm)  
wire rope diameter: .56 in. (14 mm)

| LAYER | LINE PULL |       | LINE SPEED |     |
|-------|-----------|-------|------------|-----|
|       | LB        | KG    | FPM        | MPM |
| 1     | 6,270     | 2,850 | 110        | 34  |
| 2     | 5,650     | 2,568 | 122        | 37  |
| 3     | 5,140     | 2,336 | 134        | 41  |
| 4     | 4,720     | 2,145 | 146        | 44  |

### PD7C-07240-01 & -02

24 cu in. motor (393 cc) 2,100 psi (143 bar) @ 25 gpm (95 lpm)  
wire rope diameter: .56 in. (14 mm)

| LAYER | LINE PULL |       | LINE SPEED |     |
|-------|-----------|-------|------------|-----|
|       | LB        | KG    | FPM        | MPM |
| 1     | 7,000     | 3,182 | 87         | 27  |
| 2     | 6,310     | 2,868 | 97         | 30  |
| 3     | 5,740     | 2,609 | 106        | 32  |
| 4     | 5,260     | 2,391 | 116        | 35  |

### ROPE CAPACITY, M\*

| WIRE ROPE DIA. | 9   | 11  | 13 | 14 |
|----------------|-----|-----|----|----|
| PD7C-01 DRUM   | 151 | 107 | 74 | 67 |
| PD7C-02 DRUM   | 182 | 133 | 96 | 67 |

\* CHECK FOR APPROXIMATE FREEBOARD CLEARANCES

## Dimensions

### PD7C-07120-01

